

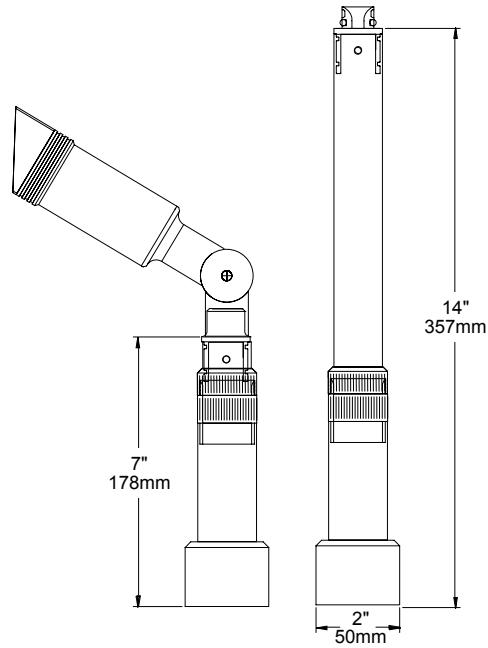
TELESCOPIC RISER



CUSTOM SIZES AVAILABLE

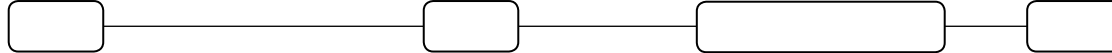
Fixture not included

The **Telescopic Riser** from Auroralight takes quality and innovation to a new height! Designed exclusively for use with our SL, LSL, and new HSL Hybrid series spotlights. The Riser gives designers and installers a quality solution for maturing shrubs or thick ground covers that are overtaking light fixtures and hindering performance. It is a quick solution for an existing problem or a proactive application allowing for future growth in the landscape. The Telescopic Riser's unique design allows for a 100% extension of the fixture's original height. Specify size 5"x10", 7x14" (shown to the left), 9x18", 11x22" or 18x36". Custom sizes available, please consult factory. Each unit is shipped complete with a ground stake assembly, unless otherwise specified, and cord set. See below for available mount options.



ORDERING GUIDE TELESCOPIC RISER:

INDICATES REQUIRED FIELD INDICATES OPTIONAL FIELD



FIXTURE ATTACHMENT

[1/2] 1/2" NPS Female Threaded Hole
Fits Aurora path lights & 1/2" Universal fixtures
[AMS] Auroralight Mount System
Adds 1/2" Brass Adapter to fit SL, LSL and HSL series directional luminaires.

HEIGHT/EXTENSION

[5x10] 5x10"
[7x14] 7x14"
[9x18] 9x18"
[11x22] 11x22"
[18x36] 18x36"

MOUNT OPTIONS

[1/2] 1/2" Male Thread
[G/S] Ground Stake (default)
[D/S] Deluxe Stake 9"
[T/R-X] Trident Spike (9" or 12")
[P/B-S] Power Box w/ Stake (Inc. 60W 120-12V trans.)
[P/M] 4" Pedestal Mount
[SM3] 3 1/4" Surface Mount
[SM2] 2 1/4" Surface Mount

FINISH

[NAT] Natural
[BLP] Bronze Living Patina
[BLP-XD] BLP Extra Dark
[NI] Nickel PVD

[X] =Specify Length

NOTE: See Mount Guide for more options

