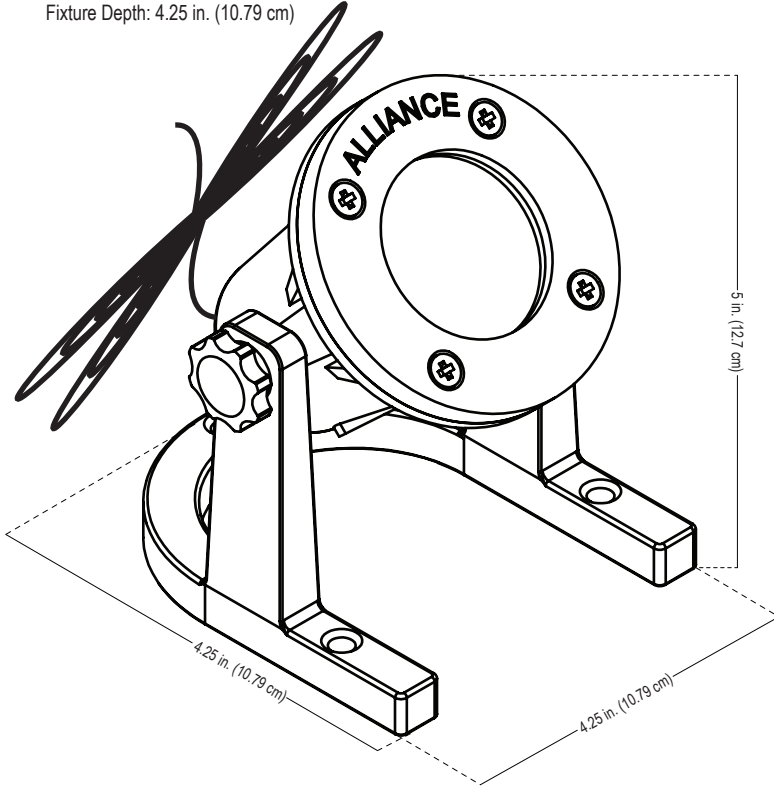


# ALLIANCE

## Specification Sheet

### Model: UL100 (Under Water Light)

Fixture Height: 5 in. (12.7 cm)  
 Fixture Width: 4.25 in. (10.79 cm)  
 Fixture Depth: 4.25 in. (10.79 cm)



Notes:

Project:
Type:

#### Specifications and Features:

**Body:** Brass fixture, aged brass finish

**Base:** Solid brass fixture base with swivel mount for adjusting the direction of the light beam

**Face plate:** Solid brass shroud with water tight, sealed clear lens, fixes to base with four stainless steel screws

**Socket:** Spring loaded ceramic bi-pin socket with dual contact and lamp clips

**Wire:** 25' Foot underwater wire lead, Pre-connected to the fixture

**Warranty:** Lifetime warranty on fixture housing

**Certifications:** Complies with the requirements of UL-1838 and CAN/CSA-C22.2 No. 250.7. Identified with the ETL and cETL Listed Mark.



#### Lamp Options

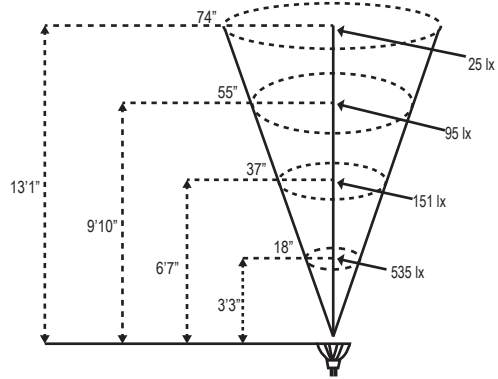
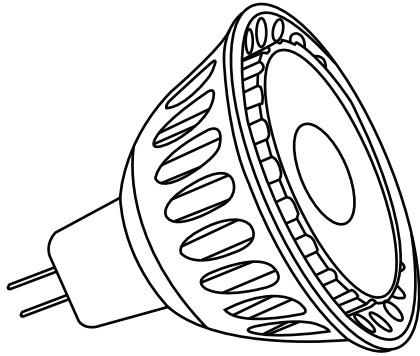
Model #	Base Type	Angle	Wattage	Lumen Output
LMR16-LED-4W-NS	MR16	15°	4w	250lm
LMR16-LED-4W-F	MR16	45°	4w	250lm
LMR16-LED-4W-WF	MR16	60°	4w	250lm
LMR16-LED-5W-NS	MR16	15°	5w	310lm
LMR16-LED-5W-F	MR16	45°	5w	310lm
LMR16-LED-5W-WF	MR16	60°	5w	310lm
LMR16-LED-6W-F	MR16	45°	6w	400lm
LMR16-35-36-XH (Halogen)	MR16	45°	35w	310lm

LED Ordering Guide: Model-Lamp Wattage-Lamp Angle  
 Example:UL100-LED-5W-F

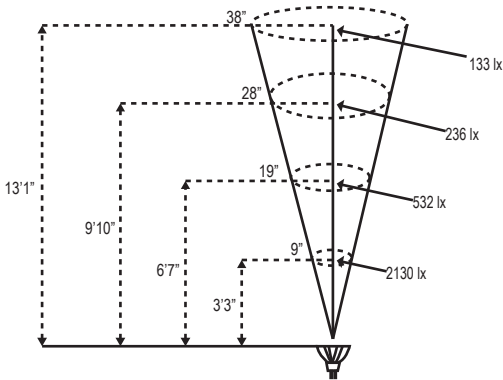
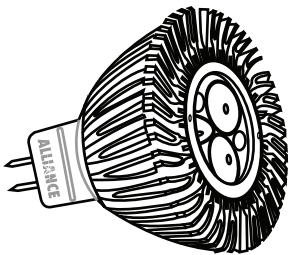
Project:
Type:

## MR16 LED Photometric Comparisons

LMR16-LED-6W-F

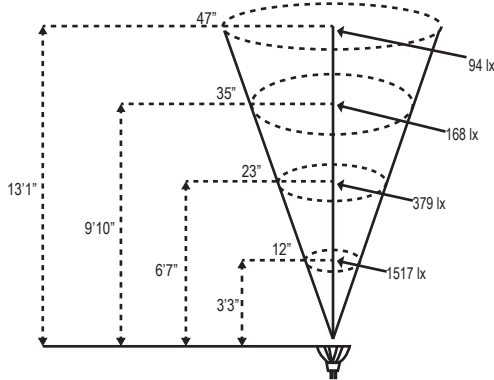
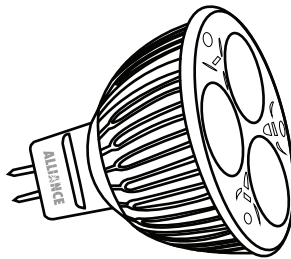


LMR16-LED-5W-NS

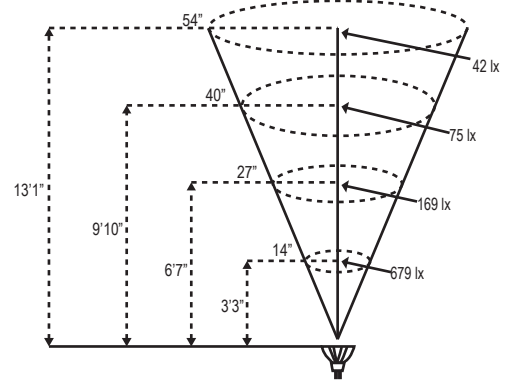
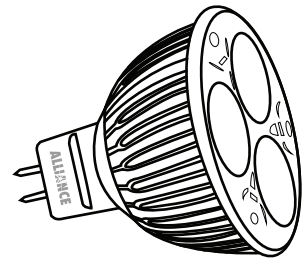


LMR16-LED-5W-F

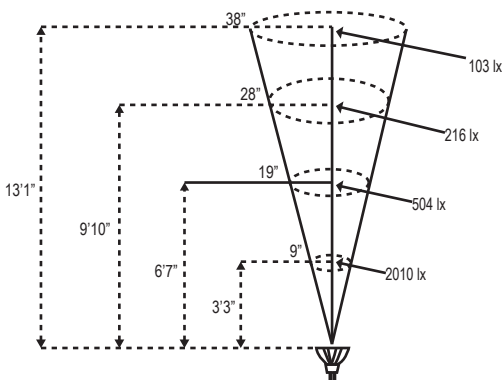
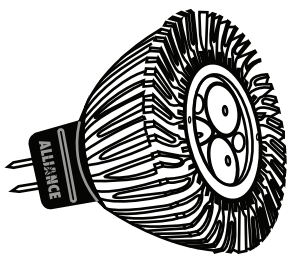
(also available in Blue, Red, Green and Amber)



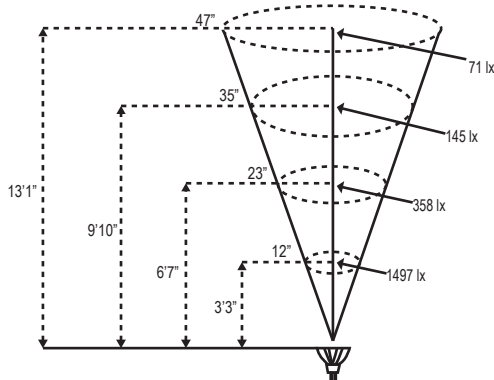
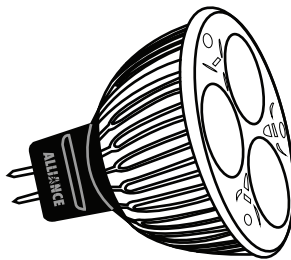
LMR16-LED-5W-WF



LMR16-LED-4W-NS



LMR16-LED-4W-F



LMR16-LED-4W-WF

