

DATE: \_\_\_\_\_ PROJECT: \_\_\_\_\_ TYPE: \_\_\_\_\_

CATALOG NUMBER LOGIC:



*\*Designed for use with LED transformer.*

*\*\*Please see Adjust-e-Lume photometry to determine desired intensity.*

*\*\*\*Aluminum only.*

**CATALOG NUMBER LOGIC**

Example: B - HP2 - LED - RD - e65 - NSP - A9 - SAP - 12 - 11 - AH

**MATERIAL**

(Blank) - Aluminum B - Brass S - Stainless Steel

**SERIES**

HP2 - In-grade with Flush Mounted Faceplate

**OptiLock®**

LED - Integral Dimming Driver (25% min. load when dimmed)\*

**HOUSING**

RD - Requires Remote LED Transformer (Deep Housing)

**LED TYPE**

e64 - 7W LED/2700K e66 - 7W LED/4000K  
 e65 - 7W LED/3000K e74 - 7W LED/Amber

**OPTICS**

NSP - Narrow Spot (13°) MFL - Medium Flood (23°)  
 SP - Spot (16°) WFL - Wide Flood (31°)

**ADJUST-E-LUME OUTPUT INTENSITY\*\***

A9 (Standard), A8, A7, A6, A5, A4, A3, A2, A1

**FINISH (See page 2 for full-color swatches)**

Standard Finishes (BZP, BZW, BLP, BLW, WHP, WHW, SAP, VER)

Premium Finish (ABP, AMG, AQW, BCM, BGE, BPP, CAP, CMG, CRI, CRM, HUG, MDS, NBP, OCP, RMG, SDS, SMG, TXF, WCP, WIR)

Also available in RAL Finishes

Brass Finishes (MAC, POL, MIT)

Stainless Steel Finishes (MAC, POL)

**LENS TYPE**

12 - Soft Focus 13 - Rectilinear

**SHIELDING**

11 - Honeycomb Baffle

**OPTIONS**

AH - Accessory Holder

GM-R - Round Grout Mask

GM-S - Square Grout Mask

DG - Dome Glass Lens

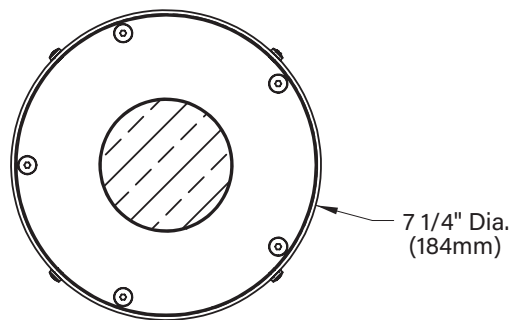
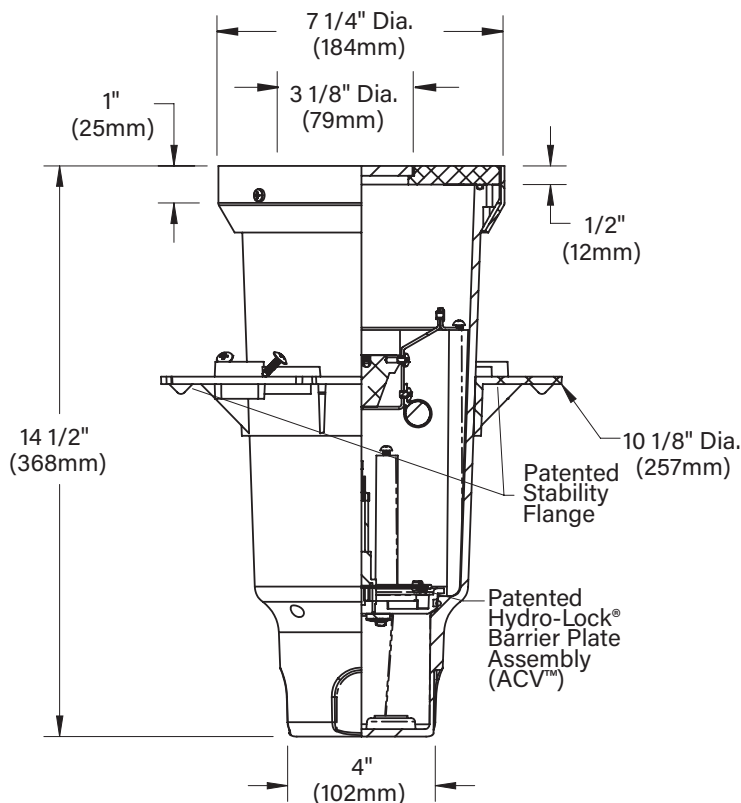
GS - Glare Shield\*\*\*

HD - Half Dome\*\*\*

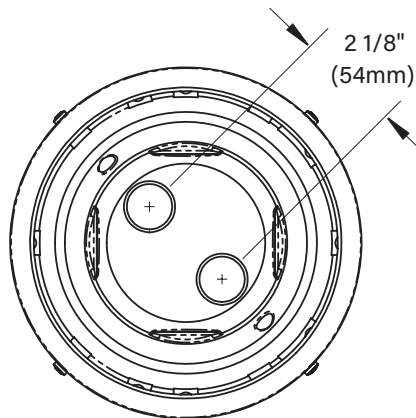
RG - Rock Guard\*\*\*

RO - Rock Guard with Optical Opening\*\*\*

DATE: \_\_\_\_\_ PROJECT: \_\_\_\_\_ TYPE: \_\_\_\_\_



FACEPLATE VIEW



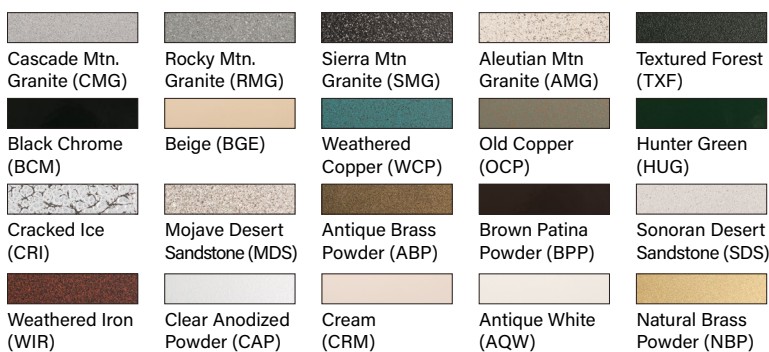
BOTTOM VIEW

**STANDARD FINISHES**



[Click Here](#) to view larger, full-color swatches of all available finishes on our website.

**PREMIUM FINISHES**



DATE:	PROJECT:	TYPE:
-------	----------	-------

ACCESSORIES (Configure separately)

## SPECIFICATIONS

ELECTRICAL	WATTAGE	7W LED
	ADJUST-E-LUME	Integral electronics allow for dynamic lumen response at the individual fixture. Indexed (100% to 25% nom.) lumen output. Maintains output at desired level or may be changed. Specify factory preset output intensity.
	WIRING / CONNECTORS	Teflon® coated wire, 18 gauge, 600V, 250°C rated and certified to UL1659 standard. Features OptiLock® and gear tray quick disconnects. Patented HydroLock® with anti-siphon valve (ASV™) wireway. (3) Water- Tight connectors supplied for line connection. Maximum (2) #10 & (1) #18. Minimum (1) #12 & (1) #18.
	REMOTE TRANSFORMER	For use with 12VAC remote magnetic transformers only. B-K Lighting cannot guarantee performance with third party manufacturers' transformers.
PHYSICAL	FIXTURE HOUSING	Corrosion-free composite made from high strength, thermo-formed, sheet-molded polyester compound. Glass reinforced, flame retardant and UV stabilized. Two (2) bottom-entry, 3/4" NPT female conduit entries with knockout plugs and four (4) side flats for 1/2" or 3/4" conduit adapters.
	PATENTED STABILITY FLANGE	Corrosion-free composite flange projects into installation sub-strate to reinforce housing stability. Integral REBAR saddles simplify installation into concrete form. Four (4) orthogonal bosses permit use of 1/2" PCV conduit or EMT to simplify vertical position and leveling of housing. Preset self-tapping screws anchor housing at proper elevation.
	AIMING	Dual axis OptiLock® stainless steel aiming bracket rotates 360° and provides vertical adjustment up to 35° from nadir. Positive lock action eliminates need for adjustment.
	LED	Integrated solid state system and modular design with electrical quick disconnects permit field upgrade and maintenance. LM-80 certified. Minimum 50,000 hour rated life at 70% of initial lumens (L70). LEDR technology provides long life, significant energy reduction and exceptional thermal management.
	DIMMING	Line voltage dimmable via magnetic low voltage dimmer with dedicated neutral conductor. For purposes of dimming: Remote magnetic transformer with LED loads should be loaded to 25% of the transformer VA (watts) rated value.
	OPTICS	Interchangeable, color-coded OPTIKIT modules permit field changes to optical distribution.
	INSTALLATION	Integral, copper-free aluminum concrete pour collar (CPC) in black finish permits direct burial in soil or concrete. Consult Drainage Installation Guide for In-Grade Fixtures (DIG-IT) for compliance with proper soil preparation and drainage requirements prior to installation.
	WATER MANAGEMENT	Self Evacuating Airtight Lamp (SEAL) Module. IP68 rated, vacuum sealed enclosure. Anti-Condensation Valve (ACV) eliminates condensation from optical chamber and wicking through conduction insulation. High temperature silicone 'O' Ring at faceplate. HydroLock® technology provides fail-safe water barrier between junction box and interior components.
	LENS	High heat, Shock-resistant, tempered 1/4" borosilicate flat glass lens. Suitable for walk-over and drive-over applications up to 35,000 lbs.
	FACEPLATE	Options include solid, 1/2" machined 6061T6 aluminum, brass or stainless steel with five (5) black oxide, captive, stainless steel mounting screws.
	FINISH	StarGuard, our 15-stage chromate-free process cleans and conversion coats aluminum components prior to application of Class 'A' TGIC polyester powder coating and is RoHS compliant.
	WARRANTY	5-year limited warranty.
CERTIFICATION & LISTING	UL Listed. Certified to CAN/CSA/ANSI Standards. ADA compliant. IP68 Rated. Made in the USA with sustainable processes.	



<b>B-K LIGHTING</b>	<b>MADE IN THE USA</b>	559.438.5800   <a href="mailto:INFO@BKLIGHTING.COM">INFO@BKLIGHTING.COM</a>   <a href="http://BKLIGHTING.COM">BKLIGHTING.COM</a>
---------------------	------------------------	--

# LAMP & DRIVER DATA (e64, e65, e66, e74)

DATE:

PROJECT:

TYPE:

DRIVER DATA	Input Volts	InRush Current	Operating	Dimmable	Operation Ambient Temperature
	12VAC/DC 50/60Hz	<250mA (non-dimmed)	700mA	Magnetic Low Voltage Dimmer	-22°F-194°F (-30°C - 90°C)

## LM79 DATA

## L70 DATA

## OPTICAL DATA

BK No.	CCT (Typ.)	CRI (Typ.)	Input Watts (Typ.)	Minimum Rated Life (hrs.) 70% of initial lumens (L <sub>70</sub> )	Angle	CBCP	Delivered Lumens
e64	2700K	80	7	50,000	13°	5993	456
	2700K	80	7	50,000	16°	4546	445
	2700K	80	7	50,000	23°	1726	397
	2700K	80	7	50,000	31°	1131	399
e65	3000K	80	7	50,000	13°	6131	466
	3000K	80	7	50,000	16°	4650	455
	3000K	80	7	50,000	23°	1766	406
	3000K	80	7	50,000	31°	1157	409
e66	4000K	80	7	50,000	13°	6889	524
	4000K	80	7	50,000	16°	5225	511
	4000K	80	7	50,000	23°	1984	456
	4000K	80	7	50,000	31°	1300	459
e74	Amber (590nm)	~	7	50,000	~	~	~

## OPTICS

Optic	Angle
NSP - Narrow Spot	13°
SP - Spot	16°
MFL - Medium Flood	23°
WFL - Wide Flood	31°

**B-K LIGHTING**

MADE IN THE USA

559.438.5800 | INFO@BKLIGHTING.COM | BKLIGHTING.COM

THIS DOCUMENT CONTAINS PROPRIETARY INFORMATION OF B-K LIGHTING, INC. AND ITS RECEIPT OR POSSESSION DOES NOT CONVEY ANY RIGHTS TO REPRODUCE, DISCLOSE ITS CONTENTS, OR TO MANUFACTURE, USE OR SELL ANYTHING IT MAY DESCRIBE. REPRODUCTION, DISCLOSURE OR USE WITHOUT SPECIFIC WRITTEN AUTHORIZATION OF B-K LIGHTING, INC. IS STRICTLY FORBIDDEN.