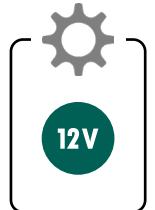
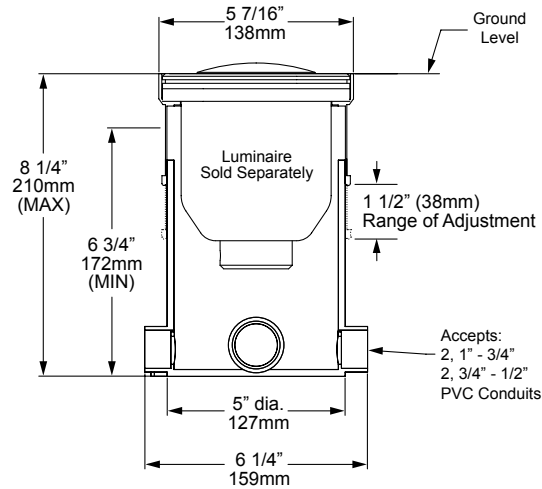


CPK CONCRETE POUR KIT

The CPK Concrete Pour Kit is part of the most comprehensive ground mount offering available. It combines the strength of brass and Copper with molded PVC for a durable in-grade installation accessory. Required for installation into hardscape: concrete, stone, tile, or any time grout will contact the fixture. The CPK can also be used in soil, where conduits runs are desired. For use with HWL11, LWL5, and WL16 in-grade luminaires.



ORDERING GUIDE: ^{Prefix} **CPK** C (CONCRETE) P (POUR) K (KIT)

□ INDICATES REQUIRED FIELD □ INDICATES OPTIONAL FIELD



FINISH

Standard (Included):

[NAT] Natural

Plus (Optional):

[BLP] Bronze Living Patina

[BLP-XD] BLP Extra Dark

Premium (Optional):

[NI] Nickel PVD

[PVD] PVD Color (Contact Factory for Availability)

FOR USE WITH

