



AREA LIGHTS AL-08 SERIES



TYPE

SPECIFICATIONS

CONSTRUCTION: 3.5" diameter aluminum, brass, copper or black ABS bollard with aluminum or brass top (ABS has black aluminum top; copper has brass top)

LENS: White high-impact acrylic

LAMP SUPPLIED: 18 watt S-8 #1141; 1200 hours average rating (25w max.)

LAMP OPTIONS: We recommend 10,000 hours average rating Xenon (-X) or Halogen (-H) or 3w 50,000 hours average rating OMNI-3 LED

SOCKET: Single contact bayonet, brass nickel plated lamp socket screw shell (Ba15s); double contact bayonet base (Ba15d) for 120v., both with 200° C silicone lead wires

WIRING: Black 3 foot 18/2 zip cord from base of fixture (12v. only)

For 25 foot 16/2 fixture lead wire add **-25F** to catalog number.
120v. Standard wiring

CONNECTION: FA-05 Quick Connector (not supplied) from fixture to main cable (12/2, 10/2 or 8/2 only) 12v. only

MOUNTING: 4 black ABS stabilizing fins (FA-42-FIN)

FINISH: Aluminum - Black texture polyester powder coat—optional finishes available

Brass - Unfinished brass—optional finishes available

Copper - Unfinished copper—optional finishes available

ABS - Black or Rubbed Verde

ORDERING INFORMATION

CATALOG NO.	DESCRIPTION	LAMP	SHIP WEIGHT
AL-08-BLT	Black ABS 3.5" Bollard	18w S8 #1141	3.0 lbs.
AL-08-ALUMBLT	Aluminum 3.5" Bollard	18w S8 #1141	3.0 lbs.
AL-08-BRS	Brass 3.5" Bollard	18w S8 #1141	4.0 lbs.
AL-08-COP	Copper 3.5" Bollard	18w S8 #1141	3.0 lbs.

120 VOLT COMPACT FLUORESCENT BOLLARDS:

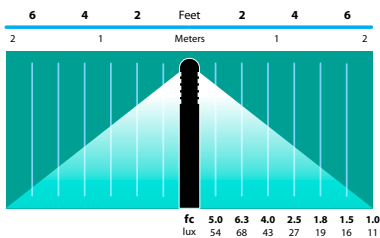
LAMP: CFL T4 single tube, 4100°K 10,000 hour (7 watt max.)

BALLAST: Internal Type 1 outdoor magnetic clamped core ballast. 120 volt primary amp draw of 0.165, not including lamp wattage. 5 and 7 watt CFL operate off same ballast and are interchangeable. 240 volt and 277 volt options available - consult factory for details.

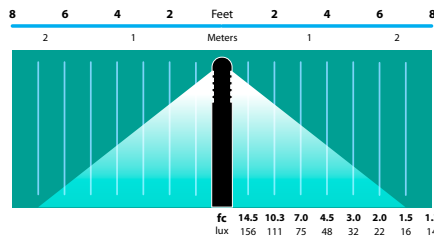
SOCKET: G23 2-pin

AL-08-FL5BLT	Black ABS 3.5" Bollard	5w 4100°K CFL	3.0 lbs.
AL-08-FL5-ALUMBLT	Aluminum 3.5" Bollard	5w 4100°K CFL	3.0 lbs.
AL-08-FL5-BRS	Brass 3.5" Bollard	5w 4100°K CFL	4.0 lbs.
AL-08-FL5-COP	Copper 3.5" Bollard	5w 4100°K CFL	3.0 lbs.
AL-08-FL7BLT	Black ABS 3.5" Bollard	7w 4100°K CFL	3.0 lbs.
AL-08-FL7-ALUMBLT	Aluminum 3.5" Bollard	7w 4100°K CFL	3.0 lbs.
AL-08-FL7-BRS	Brass 3.5" Bollard	7w 4100°K CFL	4.0 lbs.
AL-08-FL7-COP	Copper 3.5" Bollard	7w 4100°K CFL	3.0 lbs.

LIGHT DISTRIBUTIONS AND PHOTOMETRICS



AL-08
Light Distribution and Photometrics
14 ft. (4.3m) diameter



AL-08-FL-7-120V
Light Distribution and Photometrics
16 ft. (4.9m) diameter

FSA-00

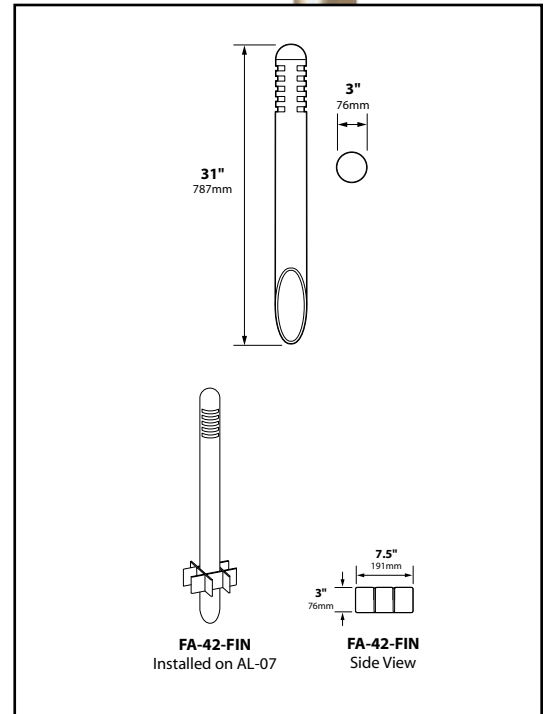
Black Texture (Standard)	Antique Verde	Bronze Texture	Camel	White Texture	Hunter Texture	Rust	Weathered Iron	Weathered Brown	Stucco	Rubbed Verde	Chrome Powder	Terra Cotta	Acid Rust	Acid Verde	Black Acid Treatment
-BLT	-ATV	-BRT	-CAM	-WTX	-HTX	-RST	-WIR	-WBR	-STU	-RBV	-CPR	-TRC	-BAR/CAR	-BAV/CAV	-BAT

111014



AL-08-BRS

IP54



JOB INFORMATION

Type: _____ Date: _____

Job Name: _____

Cat. No.: _____

Lamp(s): _____

Specifier: _____

Contractor: _____

Notes: _____

FOCUS INDUSTRIES INC.
25301 COMMERCENTRE DRIVE
LAKE FOREST, CA 92630

www.focusindustries.com
sales@focusindustries.com
(949) 830-1350 • FAX (949) 830-3390

BRASS & COPPER ONLY