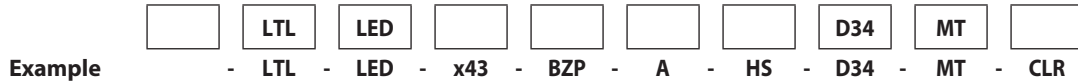


LARGE TOWER PILLAR (LTL)

| | |
|-----------------|---|
| PROJECT: | |
| TYPE: | |
| CATALOG NUMBER: | LTL LED D34 MT |
| SOURCE: | LED - Power of 'X' Technology with Chip on Board Construction |
| NOTES: | |

CATALOG NUMBER LOGIC



Material - Blank - Aluminum (Must specify Aluminum Rings.)
 B - Brass (Must specify Brass or Stainless Steel Rings.)

Series - LTL - Large Tower Pillar

Source - LED - Power of 'X' Technology with Chip on Board Construction

LED Type - x43 - 34WLED/2700K
 x44 - 34WLED/3000K
 x45 - 34WLED/4000K

Finish - NAT - Natural*
 BP - Brown Patina*
 GP - Green Patina*
 NIC - Nickel Plate*
 BZW - Bronze Wrinkle

Powder Coat Standard Finish

| Powder Coat Color | Satin | Wrinkle |
|-------------------|-------|---------|
| Bronze | BZP | BZW |
| Black | BLP | BLW |
| White (Gloss) | WHP | WHW |
| Aluminum | SAP | — |
| Verde | — | VER |

Powder Coat Premium Finish

| | | | | | |
|-----|---------------------------|-----|--------------------------|---|--------------------------|
| ABP | Antique Brass Powder | CMG | Cascade Mountain Granite | RMG | Rocky Mountain Granite |
| AMG | Aleutian Mountain Granite | CRI | Cracked Ice | SDS | Sonoran Desert Sandstone |
| AQW | Antique White | CRM | Cream | SMG | Sierra Mountain Granite |
| BCM | Black Chrome | HUG | Hunter Green | TXF | Textured Forest |
| BGE | Beige | MDS | Mojave Desert Sandstone | WCP | Weathered Copper |
| BPP | Brown Patina Powder | NBP | Natural Brass Powder | WIR | Weathered Iron |
| CAP | Clear Anodized Powder | OCP | Old Copper | <i>Also available in RAL Finishes See submittal SUB-1439-00</i> | |

Rings - A - Aluminum (Finish to match Fixture.)
 B - Brass (Finish to match Fixture.)
 S - Stainless Steel (Stainless Steel Rings are provided in Natural (NAT) regardless of Finish.)

Accessories (Select one.) - HS - House Side Shield (Material and Finish to match Fixture.)
 MSH - Mesh Screen (Aluminum Mesh supplied with Aluminum Fixture. Copper Mesh supplied with Brass Fixture. Finish to match Material.)

Driver - D34 - 34W 0-10 Dimming Driver (Standard Dimming 1-100%)

Input Voltage - MT - 120-277 VAC Input

Option - CLR - Clear Coat Protection (For use with Natural (NAT) Finishes. For use with Brass Fixture only.)

DRIVER DATA

| Type | AC Input Range | Frequency Hz | Power Factor At Full Load (Efficiency) | THD | InRush Current | Operating Current | Operation Ambient Temperature | Dimmer Type | Dimmer Range |
|------|----------------|--------------|--|------|--------------------------|-------------------|-------------------------------|-------------|--------------|
| D34 | 120-277 | 50/60 | >0.9 | <20% | 30mA ² S@277V | 1050mA | -30° C ~ 50°C | 0-10V | 1-100% |

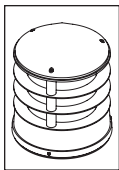
LM79 DATA

| TEKA LED # | LUMENS (Delivered) | CCT | INPUT WATTS (Typ.) | CRI (Typ.) |
|------------|--------------------|------|--------------------|------------|
| x43 | 1936 | 2700 | 34 | 80 |
| x44 | 2105 | 3000 | 34 | 80 |
| x45 | 2160 | 4000 | 34 | 80 |

L70 DATA

| Minimum Rated Life (hrs.) - 70% of initial lumens (L70) |
|---|
| 50,000 |
| 50,000 |
| 50,000 |

| | | | |
|--------------------------|---|------------------------|-------------------------------|
| TEKA ILLUMINATION | 40429 Brickyard Drive • Madera, CA 93636 • USA 559.438.5800 • FAX 559.438.5900 www.tekailumination.com • info@tekailumination.com | RELEASED 11-28-2017 | DRAWING NUMBER SUB-2688-00 |
| | THIS DOCUMENT CONTAINS PROPRIETARY INFORMATION OF TEKA ILLUMINATION AND ITS RECEIPT OR POSSESSION DOES NOT CONVEY ANY RIGHTS TO REPRODUCE, DISCLOSE ITS CONTENTS, OR TO MANUFACTURE, USE OR SELL ANYTHING IT MAY DESCRIBE. REPRODUCTION, DISCLOSURE OR USE WITHOUT SPECIFIC WRITTEN AUTHORIZATION OF TEKA ILLUMINATION IS STRICTLY FORBIDDEN. | | |

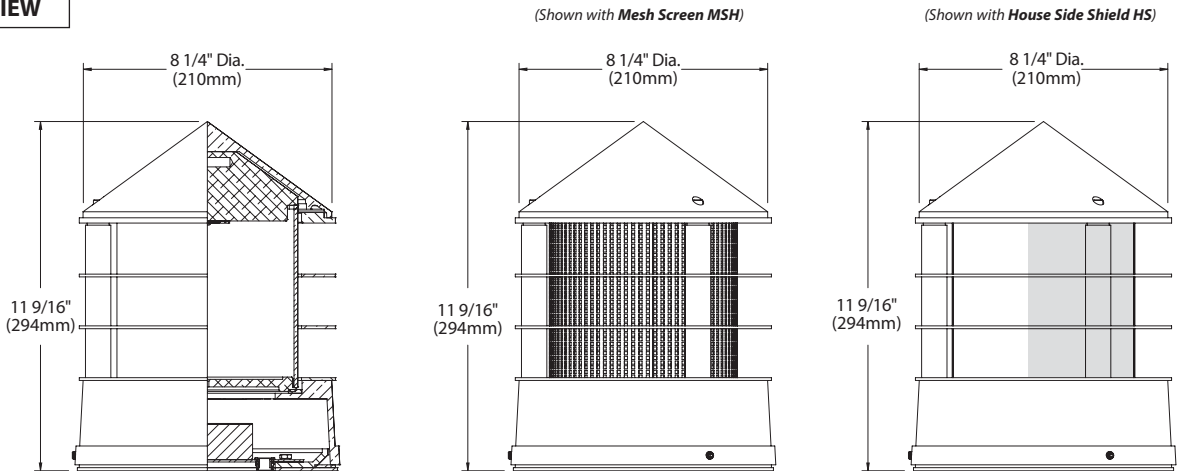


BKSSL
SOLID STATE LIGHTING

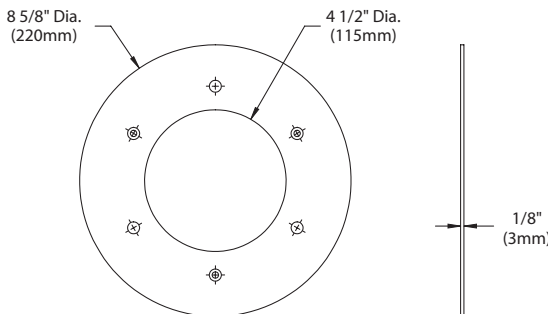
LARGE TOWER PILLAR (LTL)

| | |
|----------|--|
| PROJECT: | |
| TYPE: | |

SIDE VIEW



MOUNTING PLATE



All dimensions indicated on this submittal are nominal. Contact Technical Sales if you require more stringent specifications.

SPECIFICATIONS

GreenSource Initiative™

Metal and packaging components are made from recycled materials. Manufactured using renewable solar energy, produced onsite. Returnable to manufacturer at end of life to ensure cradle-to-cradle handling. Packaging contains no chlorofluorocarbons (CFC's). Use of this product may qualify for GreenSource efficacy and recycling rebate(s). Consult www.tekailumination.com/greensource for program requirements.

Materials

Copper and Brass: Constructed from copper and brass. These enduring metals are inherently corrosion resistant.

Aluminum: Constructed from Copper-Free aluminum (Type 6061-T6 and cast Aluminum 360).

Ring Stack

Solid aluminum accent rings with aluminum spacers; brass or stainless steel accent rings with solid brass spacers. Stainless steel rings available in natural (NAT) finish only.

Installation

8" diameter aluminum or brass base with 304 stainless steel plate. Mounts to a #36 anchor kit.

Mesh Screen

Diffuses light in window. Not available with Half Shield. Aluminum Mesh supplied with Aluminum Fixture. Copper Mesh supplied with Brass Fixture. Finish to match Material.

House Side Shield

Hand spun aluminum- 3003, copper- C101; eliminates light from half of the fixture. Material and Finish to match Fixture. Not available with Mesh Screen.

Lens

6" dia. frosted acrylic lens.

Cap

Top Cast Cap. 360 Aluminum or C836 Red Brass.

Base

Cast aluminum-360, cast brass C836. high temperature silicone gasket provides water tight seal to lens assembly.

BKSSL®

Integrated solid state system with 'X' technology is scalable for field upgrade. Modular design with electrical quick disconnects permit field maintenance. Minimum 50,000 hour rated life at 70% of initial lumens (L70). BKSSL® technology provides long life, significant energy reduction and exceptional thermal management.

Color Management

Chip on board technology delivers natural white light. Exact color point conformity exceeds ANSI C78.377 standard. Module exceeds 80 CRI (RA>80, R9.16). Color point uniformity 2 SDCM color control for 2700K-4000K CCT.

Driver (34W)

[1] 1.05A (D34), Class A, constant current driver. 120-277VAC (nominal) primary input voltage. 50/60Hz. >0.90 Power Factor, 30mA²S in-rush current, ≤20%THD (nominal at 120VAC full load). Output over-voltage, over-current, and short circuit protection with auto recovery. EMC: FCC47CFR Part 15 Class B compliant. Dimming driver for use with standard 0-10V dimmers and switch controls. (Refer to driver electrical data). D34 - 1-100% dimming range.

Wiring

Tefzel® coated stranded wire, 18GA, 600V, 150° C rated and certified to UL 1659 standard.

Hardware

Tamper-resistant, stainless steel hardware with black oxide finish.

Finish

Copper and Brass: Natural (NAT): Copper and brass components are sand blasted to expose the porous metal surface. Over time, and with exposure to the elements, the metals will naturally 'weather' resulting in a unique patina.

Also available with hand-crafted metal finishes including brown patina (BP), green patina (GP), polish (POL), and nickel plate (NIC).

Copper and brass components are also available in powder coat finishes.

Optional ceramic clear coat protection (copper and brass components only) seals and protects underlying metals and protects against discoloration, fading, and wear. Highly impervious to chemicals, solvents, and graffiti. For use with natural (NAT) and polish (POL) finishes.

Aluminum: StarGuard®, our exclusive RoHs compliant, 15 stage chromate-free process cleans and conversion coats aluminum components prior to application of Class 'A' TGIC polyester powder coating.

Warranty

5 year limited warranty.

Listings

UL tested to IESNA LM-79. UL Listed. Certified to CAN/CSA/ANSI Standards. RoHs compliant. Suitable for indoor or outdoor use. Suitable for use in wet locations. Additionally suitable for installation within 4' of the ground. IP66 Rated. Made in USA.



Tefzel™ is trademark of The Chemours Company FC, LLC.

| | | | |
|--------------------------|--|------------------------|-------------------------------|
| TEKA ILLUMINATION | 40429 Brickyard Drive • Madera, CA 93636 • USA 559.438.5800 • FAX 559.438.5900 www.tekailumination.com • info@tekailumination.com | RELEASED 11-28-2017 | DRAWING NUMBER SUB-2688-00 |
| | | | |