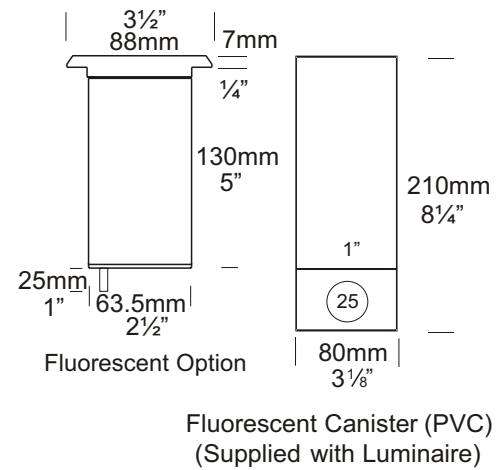
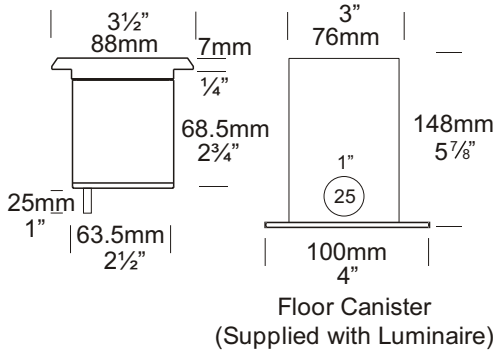


# Floor Lite Square

Cat. No. FLSQ  
 Cat. No. FLSQFL  
 Cat. No. FLSQGU  
 Cat. No. FLSQMH20  
 Cat. No. FLSQMH35

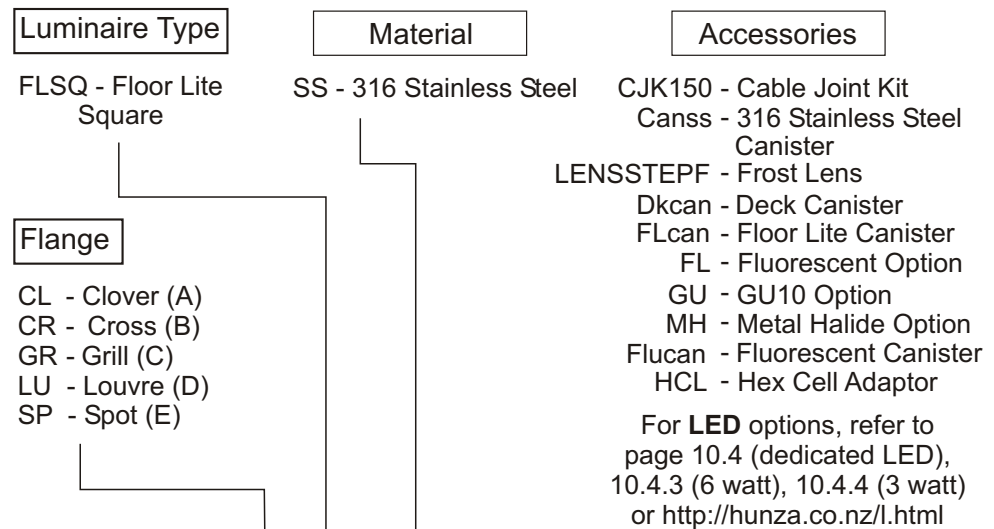


The Floor Lite Square has a 88mm x 88mm (3 1/2" x 3 1/2") flange and has a low profile of 7mm. The square shape makes it ideal for mounting in tiled areas and it can be walked upon without being damaged. There are five flange designs: Clover, Grill, Louvre (45 degree angle), Spot, Cross and is supplied with a mounting canister.

A 110/240 volt fluorescent option is available which offers excellent light output, low energy usage and very low heat generation, this changes the luminaire to an IP66 rating.

A GU10 version of this luminaire is also available for line voltage lamps. The Floor Lite Square Metal Halide is extremely energy efficient, outputting 2-3 times the light of a halogen lamp, and uses a GX10 20 or 35 watt lamp. The Metal Halide version is not UL or CSA approved for use in the USA or Canada.

## Ordering Information



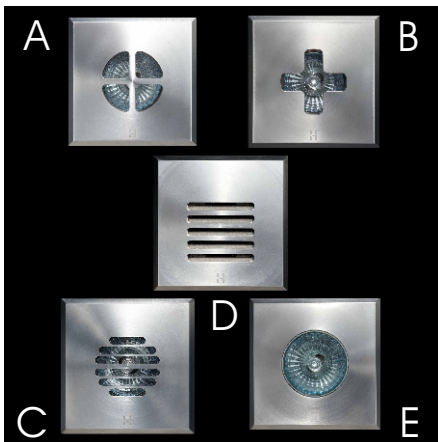
Ordering Example: FLLUSQ SS - Floor Lite Louvre (D) Square in 316 Stainless Steel

FLSPSQFL SS - Floor Lite Spot (E) Square in 316 Stainless Steel with fluorescent option

FLSPSQGU SS - Floor Lite Spot (E) Square GU10 in 316 Stainless Steel

FLSPSQMH20 SS - Floor Lite Spot (E) Square Metal Halide 20 watt in 316 Stainless Steel

(Accessories ordered separately)



**HUNZA**™ PURE OUTDOOR LIGHTING

**HUNZA FACTORY**  
 130 Felton Mathew Ave  
 Glen Innes  
 Auckland 1072  
 New Zealand

Ph: 64-9-528 9471  
 Fax: 64-9-528 9361  
[hunza@hunza.co.nz](mailto:hunza@hunza.co.nz)  
[www.hunza.co.nz](http://www.hunza.co.nz)

**INTERNATIONAL CONTACTS:**  
[www.hunza.co.nz/contacts.php](http://www.hunza.co.nz/contacts.php)

Specifications may change without notice.  
 Manufactured in New Zealand.  
 © 2011 Hunza Holdings Ltd.

Ver 1.4

## Luminaire Construction

CNC machined from:

### Body:

316 Stainless Steel 63.5mm (2½") x 9mm (11/32"). End cap - solid 316 stainless steel 63.5mm (2½") rod.

### Flange:

90mm x 90mm (3½" x 3½") solid 316 stainless steel bar.

## Mounting

The luminaire is pushed into the canister and is held by two silicone "O" rings: Canss, FLcan, FLucan are cast into concrete, brick, concrete block, etc.

Dkcan: Mounted into wooden decks, wooden frames, etc.

## Features

### Lens:

3mm (1/8") clear tempered shatter resistant glass.

Lifetime Warranty.

### Gasket:

Silicone, iron impregnated 220°C (428°F).

### Lamp Holders:

GU5.3 & GU10 - 350°C (662°F) ceramic multi contact lamp holder with 250°C (480°F) teflon cables.

Metal Halide GX10 - 350°C (662°F) ceramic multi contact lamp holder with 250°C (480°F) teflon cables.

### Fluorescent:

E27 PET 210°C (410°F) base mount. E26 available in the USA.

### Accessories:

Cable Joint Kit (Cat. CJK150)  
Not approved for USA/Canada.

Deck Canister (Cat. Dkcan).

Frosted Lens (Cat. LENSSTEPF).

Floor Canister (Cat. Flcan).

Fluorescent Canister PVC (Cat. Flucan).

Fluorescent Option 8watt 240 volt (Cat. FL) IP66. (Note: Not for USA/Canada).

GU10 Option (Cat. GU).

Metal Halide Option (Cat. MH).

Hex Cell Louvre Adaptor (Cat. HCL)  
(Note: Supplied as standard for USA/Canada).

316 Stainless Canister for use in lime stone etc. (Cat. Canss).

## Standards

EN60598

IP66/IP68



UL1838

## Luminaire Weight

SS 1.175kg (2lb 9oz)

Fluorescent IP66

SS 1.810kg (3lb 15oz)

## Power Supply

HUNZA™ Inground or Wall Mount  
Transformer: not included.

Metal Halide - 230-240 volt ac 50Hz  
remote inground ballast with  
waterproof inground housing

## USA and Canada:

HUNZA™ Wall Mount Transformer:  
not included.

Metal Halide Version not UL or  
CSA approved for use in USA/Canada.

## Luminaire: supplied with

MR16 GU5.3 - 20 watt lamp max.

GU10 - GU10 25 or 35 watt lamp max.

**LED** - Refer to previous page.

Metal Halide - GX10 20 or 35 watt lamp

## Fluorescent

E27 - 110/240 volt self ballasted lamp.

## USA and Canada:

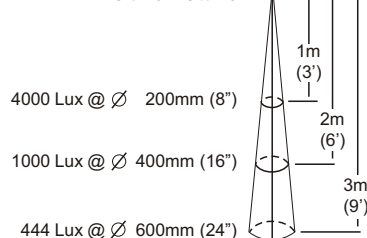
MR16 GU5.3 20 watt lamp max.

GU10 Halogen - Lamp not supplied

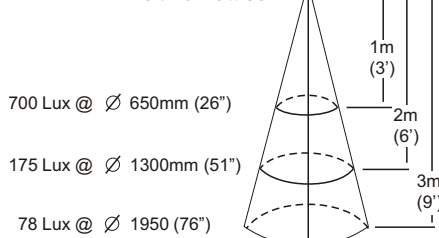
**LED** - Refer to previous page.

Metal Halide Version not UL or  
CSA approved for use in USA/Canada.

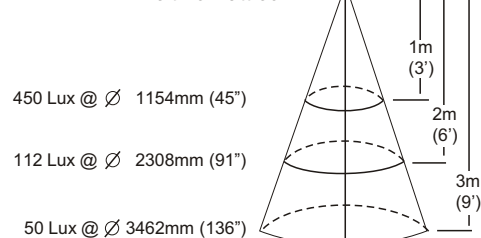
MR16 ESX GU5.3  
12 volt 20 watt 10°



MR16 BAB GU5.3  
12 volt 20 watt 38°



MR16 GU5.3  
12 volt 20 watt 60°



These diagrams refer to the Spot Lite Flange (E) only.

**HUNZA**™ PURE  
OUTDOOR  
LIGHTING

**HUNZA FACTORY**  
130 Felton Mathew Ave  
Glen Innes  
Auckland 1072  
New Zealand

Ph: 64-9-528 9471  
Fax: 64-9-528 9361  
hunza@hunza.co.nz  
www.hunza.co.nz

**INTERNATIONAL CONTACTS:**  
www.hunza.co.nz/contacts.php

Specifications may change without notice.  
Manufactured in New Zealand.  
© 2011 Hunza Holdings Ltd.

Ver 1.4