



### ISO: 12V Ledge Light

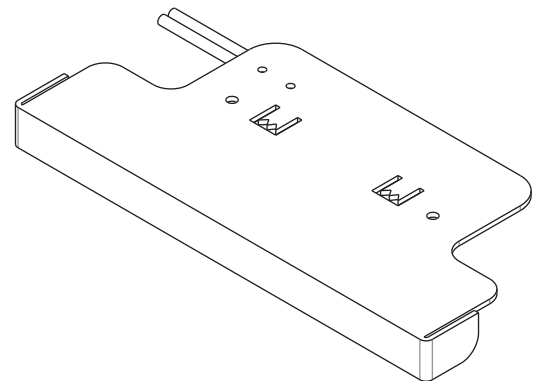
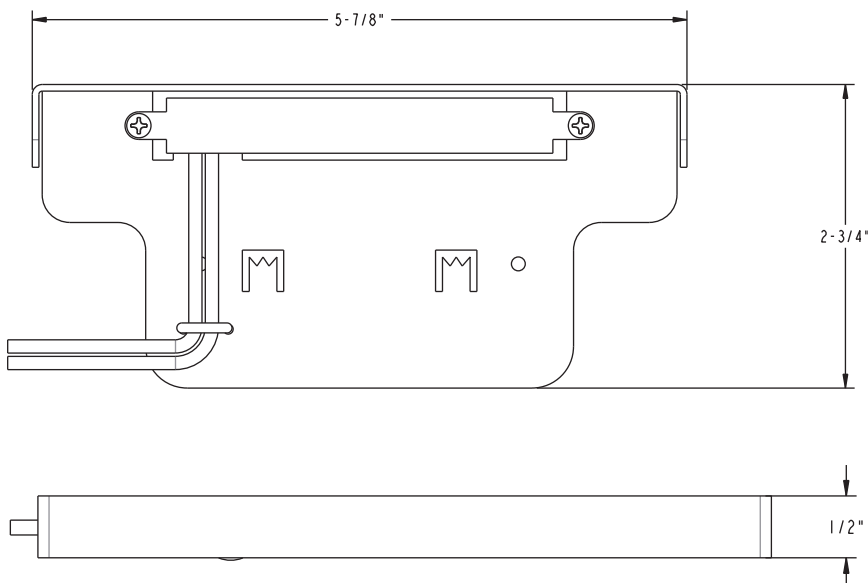
<b>PROJECT:</b>	
<b>TYPE:</b>	
<b>CATALOG NUMBER:</b>	
<b>LAMP(S):</b>	
<b>NOTES:</b>	

## FIXTURE ORDERING INFORMATION

### MODELS

IS6-LED-27k-BK  
IS6-LED-30k-BK  
IS6-LED-27k-BZ  
IS6-LED-30k-BZ

## DIMENSIONS:



## SPECIFICATIONS

### Our Commitment

Unique Lighting Systems' highest commitment is to set the standard for manufacturing innovative and quality products. This commitment is evident through our detailed inspection processes and extensive field testing. From the initial design process of each product, to the final assembly of each custom-made individual part, our manufacturing process accomplishes the highest level of performance and durability carried through to final delivery to the end user. Durable construction and beautiful styling make Unique™ fixtures the ideal solution for any residential or commercial application. Unique Lighting™ already holds numerous product patents and we are constantly developing innovative ideas to help expand the lighting industry.

### Gasket

Clear silicone seal.

### Shroud

Precision formed aluminum with glare control.

### Lens

Molded composite optics.

### Electrical Requirements

A remote 12V transformer required, may be ordered separately from Unique Lighting Systems®.

**LED:** 3 Watt

**Beam Angle:** 115°

**Color Temp:** 2700/3000k

**Lumens:** 140

**CRI:** 82

### Wiring

6' 18/2 wire lead. Wet location.

### Warranty

ISO carries a 5 year warranty against manufacturer's defects.

### Manufacturing

Manufactured to ISO 9001-2008 Quality Systems Standard.



5000619

Conforms to UL 1838  
CSA C22.2 No. 250.7